

EMAS **Egyptian Manufacturing & Advanced Systems**

Owner : Mr. Sadek Elsewedy

Group : Elsewedy Industries

Total Area

- **Factory Total Area**

- 5,610 sq mtr Total Area for 2 Halls
 - Assembly 3450 sq mtr
 - Mechanical 2160 sq mtr

- **Administration Total Area**

- 1,040 sq mtr 10th of Ramadan
- 250 sq mtr Heliopolise Cairo

Product Range

- **Product**
 - SIVACON 8PT
 - SIMOPRIME 12 KV
 - SIMOPRIME 24 KV
 - SEMAS Customized 380 Volt
 - SEMAS Empty Enclosure 380 Volt

Scope & Experience

▪ Scope

- Sales & Marketing
- Design & Engineering
- Project management
- Sheet Metal Processing
- Assembly

▪ Experience

- Three Years

Market & Experience

- **Market**

- **Local**

- Oil & GAS , Process Industry , Industry , W/WW ,
Construction , Utility

- **Export**

- Africa

- **Orders**

- YTD 90 MEGP

Projects

▪ (Extract of some projects already produced)

▪ Project	No of cubicles	No of feeders
▪ Nile Sugar	175	636
▪ Tanta	56	163
▪ ESCC	155	708
▪ Elsokkari	90	335
▪ Ghana Street lighting	250	Outdoor Panels
▪ Libya Street lighting	80	Outdoor panels

Projects

- (Extract of some projects under production)
 - Beshay
 - Alnouras
 - Ethiopia Synchronizing panel

- (Extract of some projects in pipe line)
 - Saint Gobain
 - Commercial strip Mall
 - Akbar Elyoum

Significant achievements in 2008

- **Revenue**
 - Total Value in Q1,2,3/09 is almost double what we had already submitted in the last year
- **Hiring**
 - Hiring calipers in all organizational levels
- **ISO**
 - Extended to cover the design function
- **OHS**
 - EMAS Had been certified during the year 2009
- **Market penetration**
 - Number of quotations in Q1,2,3/09 are nearly double what we had already submitted in the last year

Green field for improvement in 2010

- **Quality**
 - More Focus to improve quality in all directions
- **OHS**
 - Improve the work environment and work place
- **Export Business**
 - Building up new network of customers to cover all the product range
- **More Market Penetration & Development**
 - More Selling for the existing products and selling for new products in our existing market

Investment plan for 2010

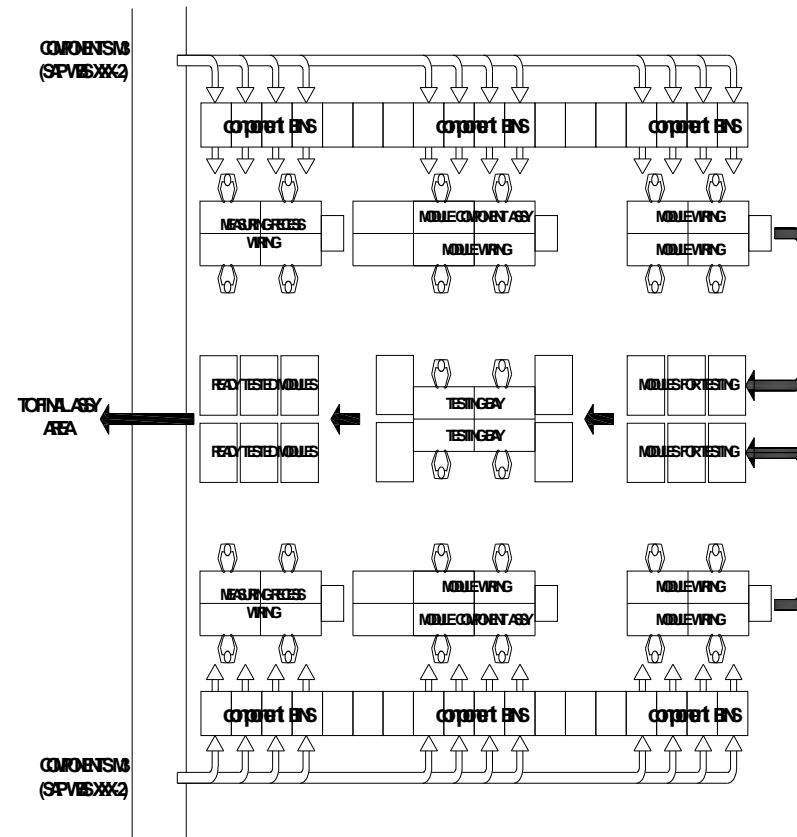
- **Steel processing**
 - New Punching Machine
 - Two new Pending Machine

- **Copper Processing**
 - New Punching Machine
 - New Pending Machine

- **Miscellaneous**
 - New Stripping and Crimping Machine
 - New Label printing Machine
 - New sets of hand tools

Target

Re-structuring of factory lay-out and process flow



Target

Second factory utilized to extend our product range and increase our capacity

Our targeted new products are

AIS RMU
GIS RMU
Compact Substations



Conclusion

Synergy & Partnership



